

User Guide

Model – UB535


101-535-13-1



1、 Introduction

UB530 is a high-quality, high-performance capture device. It supports 1 channel of video inputs at the time with SDI, HDMI, DVI-D, 1 DVI-A, Y/PB/PR connectors.

2、 Specification

UB535 Product Series Hardware Specification	
Max. Input Resolution	60/50fps @ 1920x1080p
Recording Mode	Software Compression, Real-Time Mode
Product Photo	
Interface	USB 3.0 (SuperSpeed USB)
Video Input	1 × SDI , 1 × HDMI , 1 × DVI-I , 1 × YPbPr , 1 × Composite , 1 × S-Video
Video RAW Data Format	YUY2
Video RAW Data Resolution	1920×1080p@60/50fps 1920×1080p@30/25/24fps 1920×1080i@60/50fps 1280×720p@60/50fps 1280×1024p@60fps ^[1] 1024×768p@60fps ^[1] 800×600p@60fps ^[1] 640×480p@60fps ^[1] 720×480p@60fps ^[1] 720×576p@50fps ^[1] 720×480i@60fps 720×576i@50fps
Recording Video Format	H.264 (Software Compression)
Recording Video Resolution	1920×1080p@60/50fps 1920×1080p@30/25/24fps 1920×1080i@60/50fps 1280×720p@60/50fps 1280×1024p@60fps ^[1] 1024×768p@60fps ^[1] 800×600p@60fps ^[1] 640×480p@60fps ^[1] 720×480p@60fps ^[1] 720×576p@50fps ^[1] 720×480i@60fps 720×576i@50fps
Audio Input	HDMI Embedded Audio 2 x RCA (Audio L/R through component cable)
Audio Format	Stereo / 16-bit / 32000 ~ 48000Hz

System Requirement	
OS Support	Windows XP / Vista Windows 7 / Windows 8 / Windows 8.1 Win10 (32-bit and 64-bit)

3 、 Packing List

Item	Amount
UB535 Capture Device	1 (piece)
USB3.0 Cable	1 (piece)
YPbPr Cable	1 (piece)
S/AV Cable	1 (piece)
DVI to VGA Adapter	1 (piece)

4 、 Hardware Installation

4.1 Device and Driver Installation

Step 1: Insert video input

Step 2: Connect capture device through USB3.0 port

Step 3: After installation is completed, then install the driver.

Download drivers from

<http://www.yuan.com.tw/download.htm>

optional:

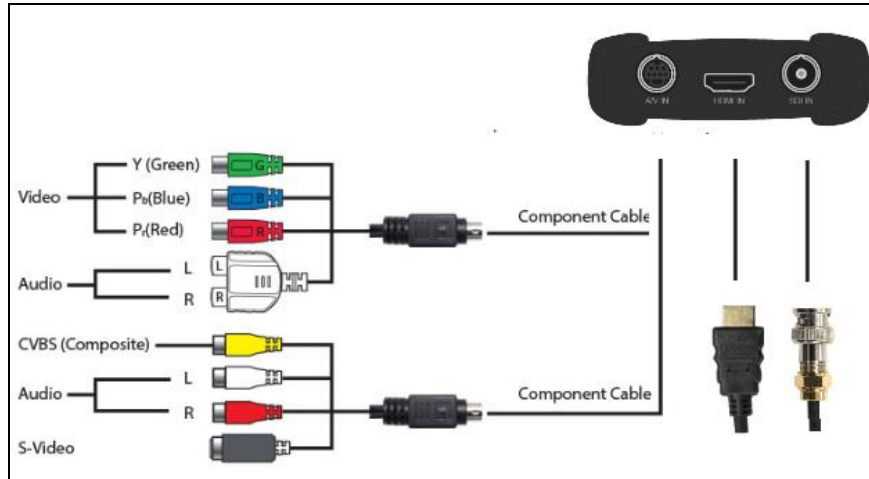
Application to verify and test the capture device and to choose input (SDI/HDMI/DVI/VGA):

Streamcatcher, download it from

http://jmc.se/Download/UB530/StreamCatcher.JMC.AAC_i1.1.0.183.0.exe

4.2 Signal Source Connection Diagram

Front Side



Rear Side

